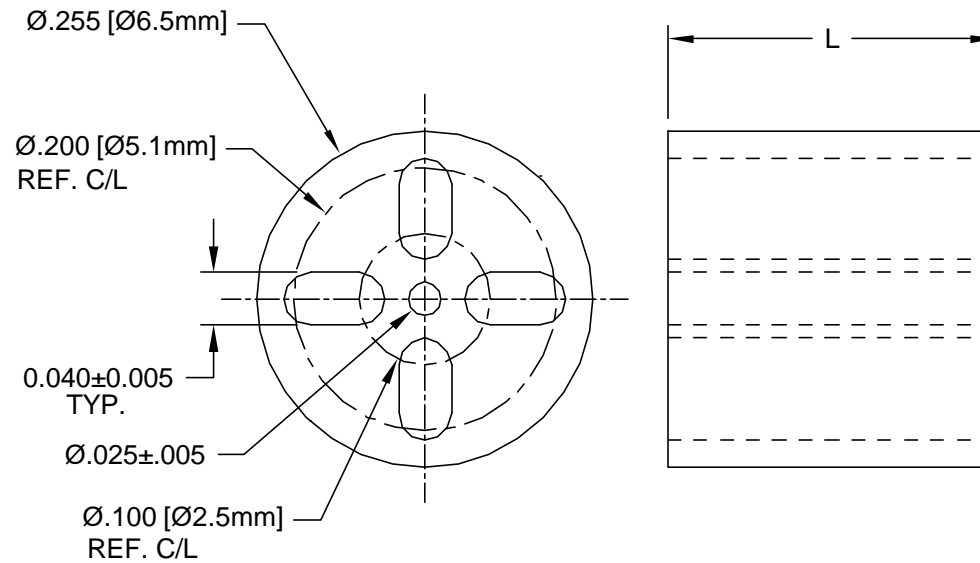


| REV. | DESCRIPTION                    | DATE     | APPROVED |
|------|--------------------------------|----------|----------|
| G    | Engineering Update w/o Changes | 02/26/04 | M. C.    |
| H    | Material Update.               | 11/10/05 | M. C.    |
|      |                                |          |          |
|      |                                |          |          |





3. TOLERANCE "L" DIMENSION:

- 0.030 - 0.500 (1.0 - 12.7mm)±0.005(0.1mm)
- 0.505 - 0.750 (12.8 - 19.1mm)±0.008(0.2mm)
- 0.755 - 1.250 (19.2 - 31.8mm)±0.015(0.4mm)

2. MATERIAL: PVC ALLOY, 94V-0, BLACK. BIVAR MATERIAL CODE 58-BK.  
CYBERTECH CYBERSHIELD PVC ALLOY, CS1534WX-BLK02N BLACK.

1. GENERAL SPECIFICATIONS: BIVAR EXTRUDED PRODUCT SPECIFICATION BV00-E105.

| STANDARD TOLERANCE<br>( UNLESS OTHERWISE SPECIFIED ) |                          | <br>4 THOMAS, IRVINE, CA. 92618<br>TEL: (949) 951-8808 FAX: (949) 951-3974 |   |
|--|--------------------------|---|---|
| DECIMALS   | ANGULAR                  |   |   |
| .X ±.1   | X° ± 1°                  |    | <b>TITLE:</b><br>EXTRUDED, SELF-RETAINING LED MOUNT |
| .XX ±.01   |                          |   | <b>PART NO:</b> ELM 3                               |
| .XXX ±.005   |                          |   | REVISION:<br>H                                      |
| DESIGNED:<br><b>Shane Irving</b>                     | DATE:<br><b>02/03/98</b> | <b>CAGE CODE :</b> 32559  | <b>SHEET #</b> 1 OF 1                               |
| CHECKED:<br><b>M. Chen</b>                           | DATE:<br><b>12/17/02</b> | CAD GENERATED DOCUMENT, DO NOT MEASURE DRAWING.   |   |